

SUN-TUBE™

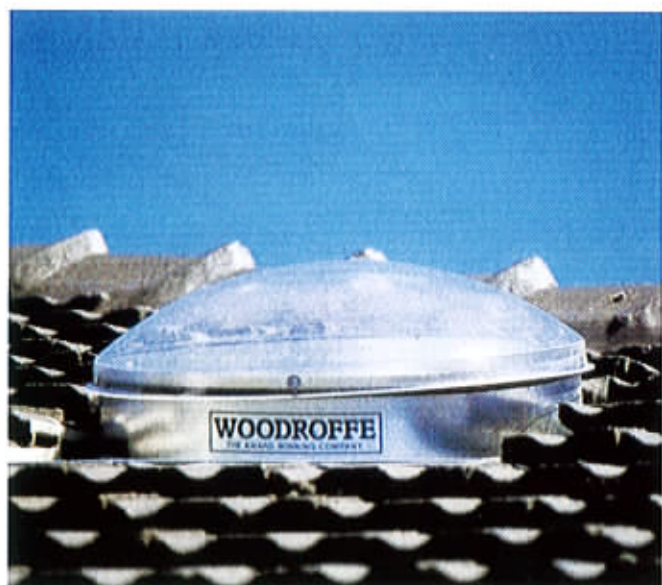
SKYLIGHTS

by WOODROFFE



350mm and 400mm **SUN-TUBE™**

*Ideal for pantries, walk-in robes, ensuites, toilets
or any other small room ... with the option of ventilation*



500mm and 550mm **SUN-TUBE™** 2000

*Ideal for Kitchens, Bathrooms, Bedrooms,
Hallways or any other room
that requires free natural light ...
with the option of ventilation*

SKYLIGHT
INDUSTRY
ASSOCIATION

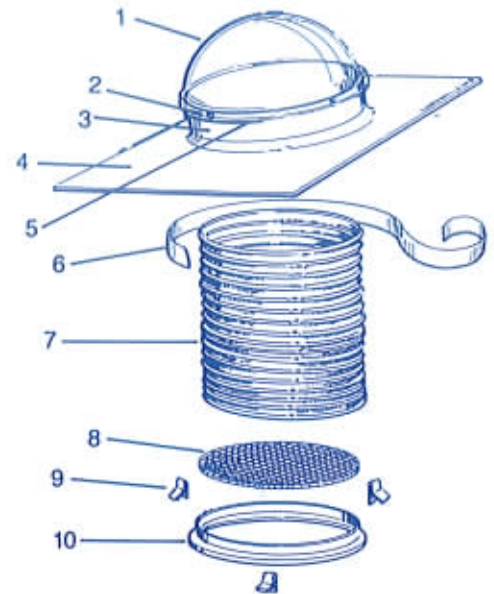
350mm and 400mm **SUN-TUBES™** SKYLIGHTS

ANYTHING BETTER WOULD HAVE TO BE BIGGER

The Sun-Tube™ Skylight is ideal for pantries, walk-in robes, ensuites, toilets or any other small room that requires additional light.

Its ease of installation makes it attractive for the handyman. The highly reflective ducting system enables the Sun-Tube™ to be installed in almost any location. Its small size enables it to be installed between most roof rafters and ceiling joists without any structural alterations being required.

1. **CLEAR ACRYLIC DOME** is UV rated and transparent to allow maximum light transmission.
2. **ALUMINIUM RIVETS** with **NEOPRENE WASHER** is used to seal the dome top to the base.
3. **METAL REFLECTIVE UPSTAND** is used to capture the sunlight on all angles.
4. **SOFT ALUMINIUM BASE** suitable for standard tile and corrugated roofs.
5. **WOOL PILE SEAL** between dome and upstand to prevent dust entry but allow condensation to escape.
6. **FOIL TAPE** is used to fasten ducting to underside of the base.
7. **HIGHLY REFLECTIVE FLEXIBLE DUCT** enables easy installation; when ducting is pulled tight, mirror finish is produced.
8. **PRISMATIC DIFFUSER** gives dispersion of light with vented and unvented units.
9. **SPRING CLIPS** are used for the fixing of the ceiling frame.
10. **WHITE CEILING FRAME** compliments and completes the installation of your Sun-Tube™.



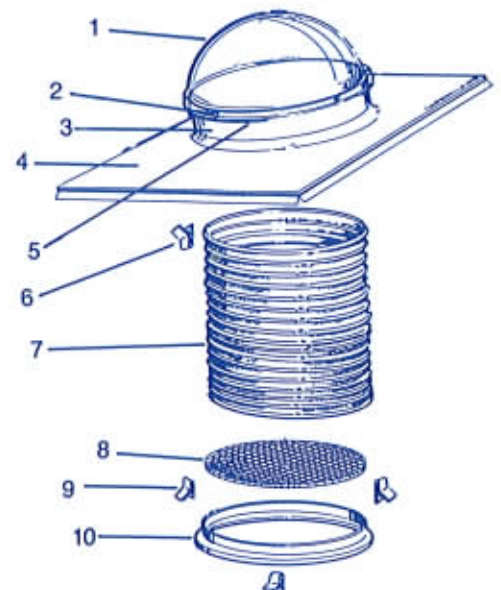
500mm and 550mm **SUN-TUBES™** SKYLIGHTS

*FINALLY ... A TUBE THAT PERFORMS
AS WELL AS CONVENTIONAL SKYLIGHTS.*

The 500 and 550mm Sun-Tube™ 2000 is ideal for Bathrooms, Kitchens, Hallways or any room that requires additional light with the option of ventilation. Manufactured by Woodroffe Skylights Pty Ltd, a company with over 60 years of tradition. Its ease of installation makes it attractive for the handyperson.

The Sun-Tube™ 2000 will certainly enhance any room, matching the performance of the conventional skylight.

1. **CLEAR ACRYLIC DOME** is UV rated and transparent to allow maximum light transmission.
2. **ALUMINIUM RIVETS** with **NEOPRENE WASHER** are used to seal the dome top to the base.
3. **METAL REFLECTIVE UPSTAND** is used to capture the sunlight from all angles.
4. **GALVANISED METAL BASE** suitable for standard tile and corrugated roofs.
5. **WOOL PILE SEAL** between dome and upstand to prevent dust entry but allow condensation to escape.
6. **CLIPS** are used to connect the ducting to the adaptor (underside of base).
7. **HIGHLY REFLECTIVE FLEXIBLE DUCT** enables easy installation; when ducting is pulled tight, mirror finish is produced.
8. **PRISMATIC DIFFUSER** gives dispersion of light with vented and unvented units.
9. **SPRING CLIPS** are used for the fixing of the ceiling frame.
10. **WHITE CEILING FRAME** compliments and completes the installation of your Sun-Tube™.



WOODROFFE
SKYLIGHTS
A.B.N. 83 095 846 709



59A LANGFORD STREET
POORAKA SA 5095
Telephone: (08) 8359 7300
Fax: (08) 8359 6444

ALSO AVAILABLE FROM: